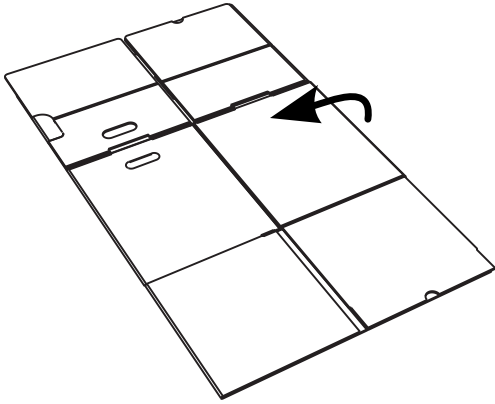
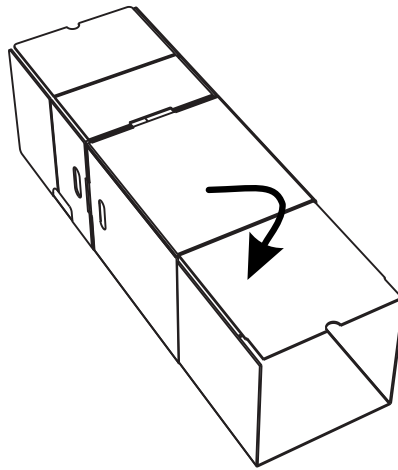


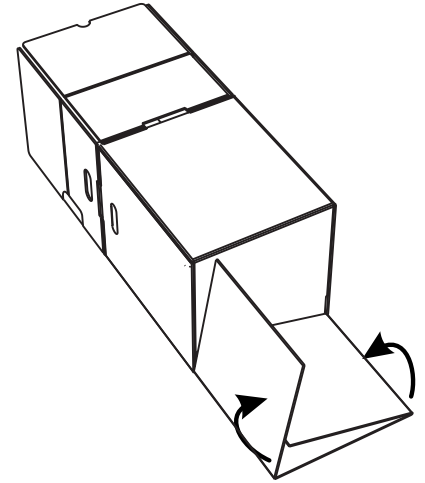
CAN BOX ASSEMBLY INSTRUCTIONS



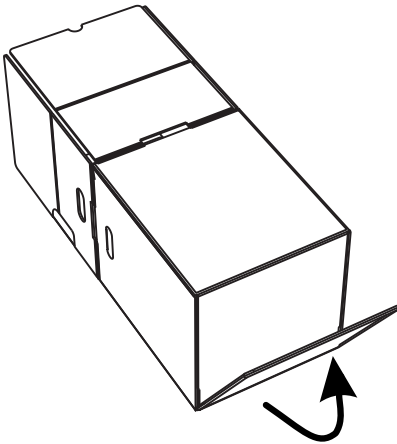
1.) Open flat box to begin assembly.



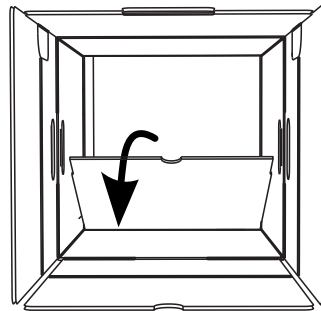
2.) On bottom of box, fold in the flap with the thumb notch on it .



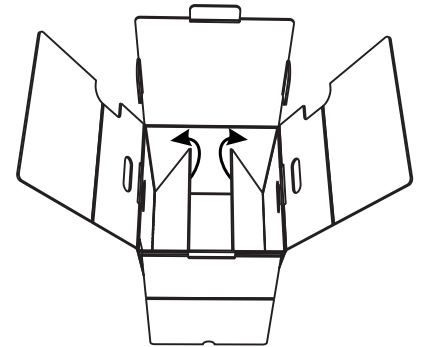
3.) Fold the side flaps down flat onto each other.



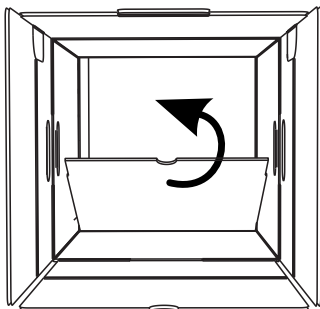
4.) Fold up flaps toward bottom of box.



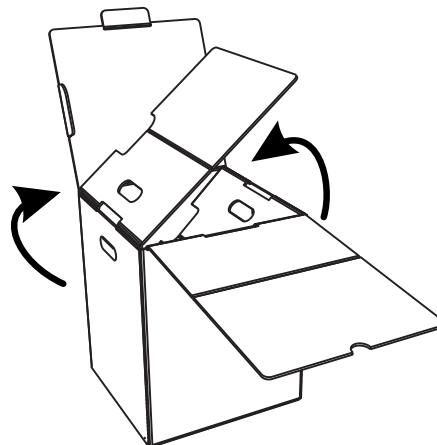
5.) On inside of box lift up the panel that has the thumb notch.



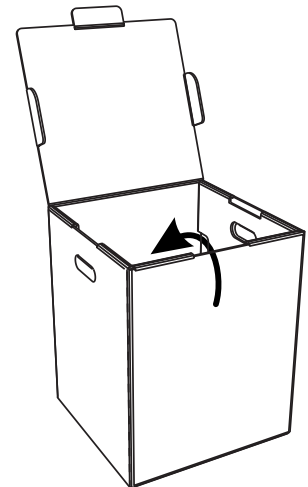
6.) Lift the two (2) flaps resting on the bottom up against the sides of the box.



7.) Next push the panel with the thumb notch to the bottom of the box.



8.) Fold the top side flaps completely over inside the box until firmly against the side walls.



9.) Fold the front flap completely over inside the box until it is firmly against the front of the box.